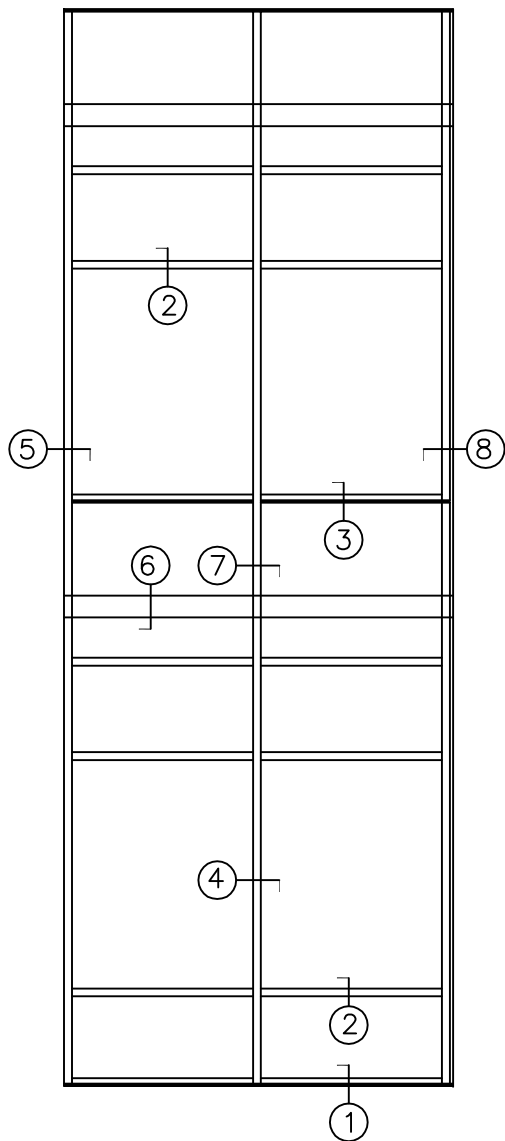
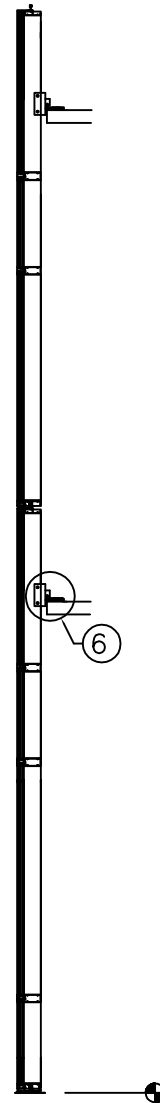


(A) PLAN SECTION THRU (CAPTURED)



(B) ELEVATION VIEW (CAPTURED)



SECTION THRU (CAPTURED)



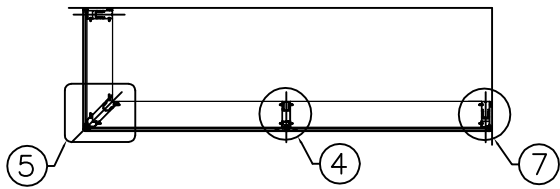
Cherry Hill Glass Co., Inc.

20 Elm St. • Branford, CT 06405
Tel (203) 483-1717 • Fax (203) 483-9057

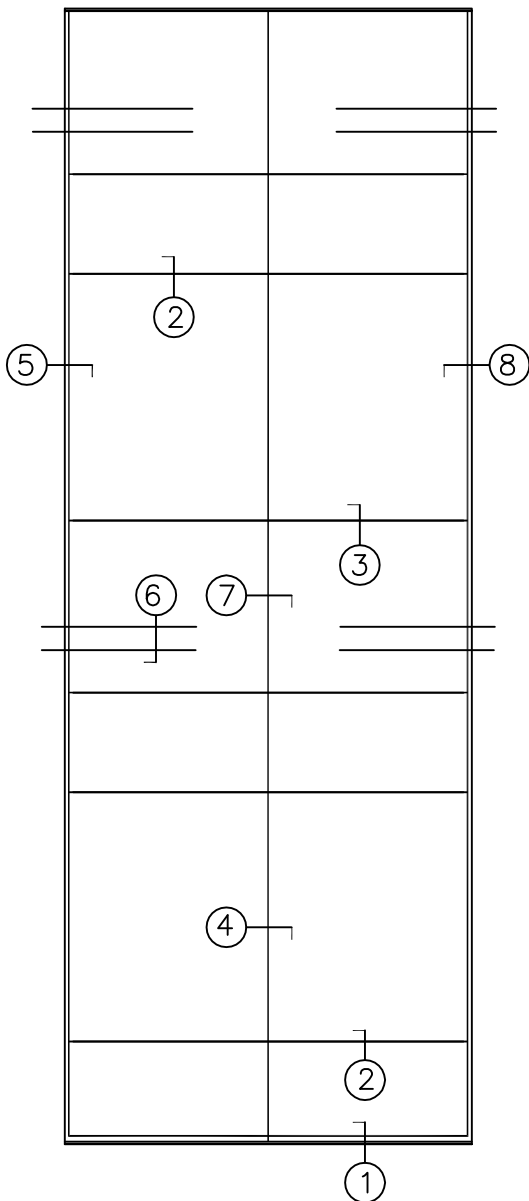
**ELEVATION
CAPTURED**

UNI-WALL™

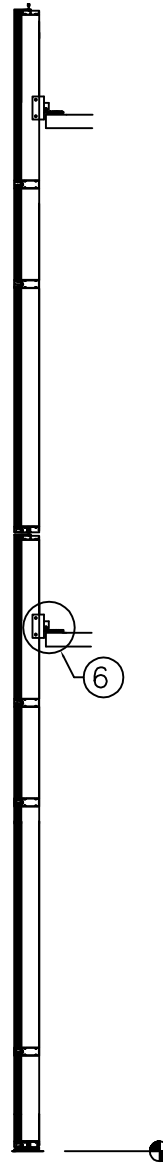
C-E1



(A) PLAN SECTION THRU (STRUCTURALLY GLAZED)



(B) ELEVATION VIEW (STRUCTURALLY GLAZED)



SECTION THRU (STRUCTURALLY GLAZED)



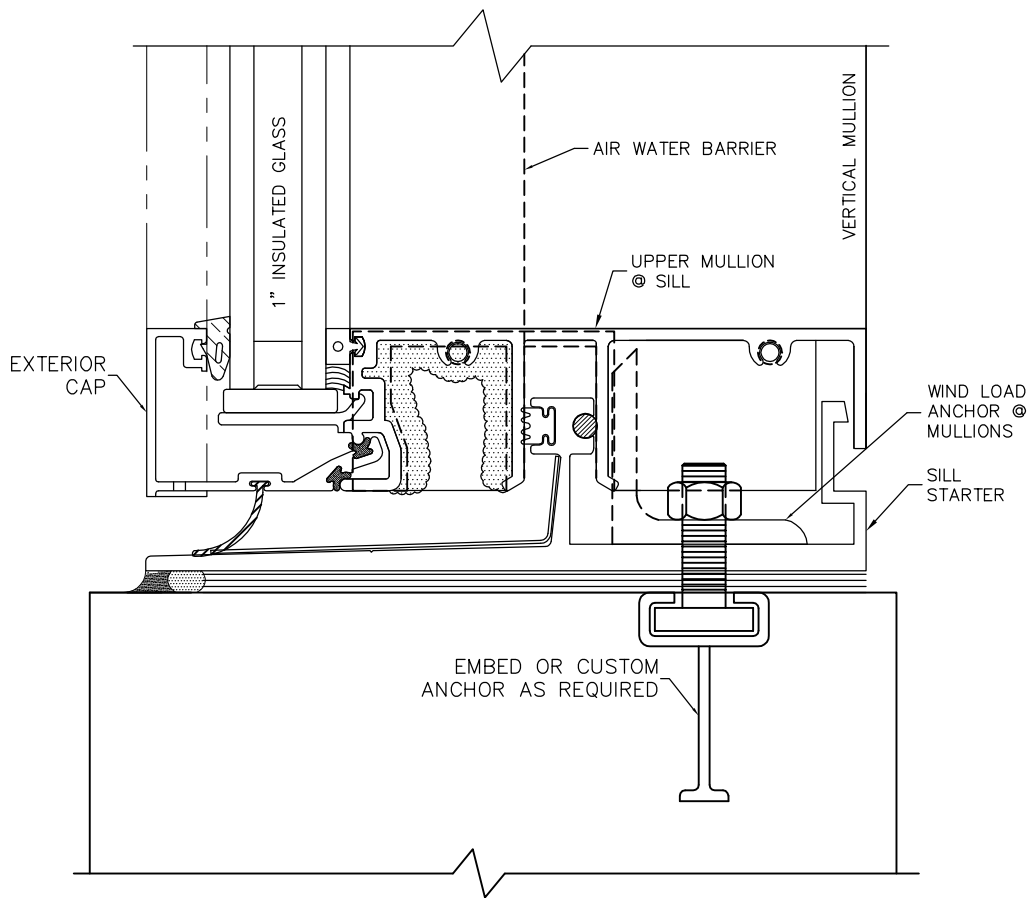
Cherry Hill Glass Co., Inc.

20 Elm St. • Branford, CT 06405
Tel (203) 483-1717 • Fax (203) 483-9057

**ELEVATION
STRUCTURALLY GLAZED**

UNI-WALL™

SG-E1



SCALE = 1/2"



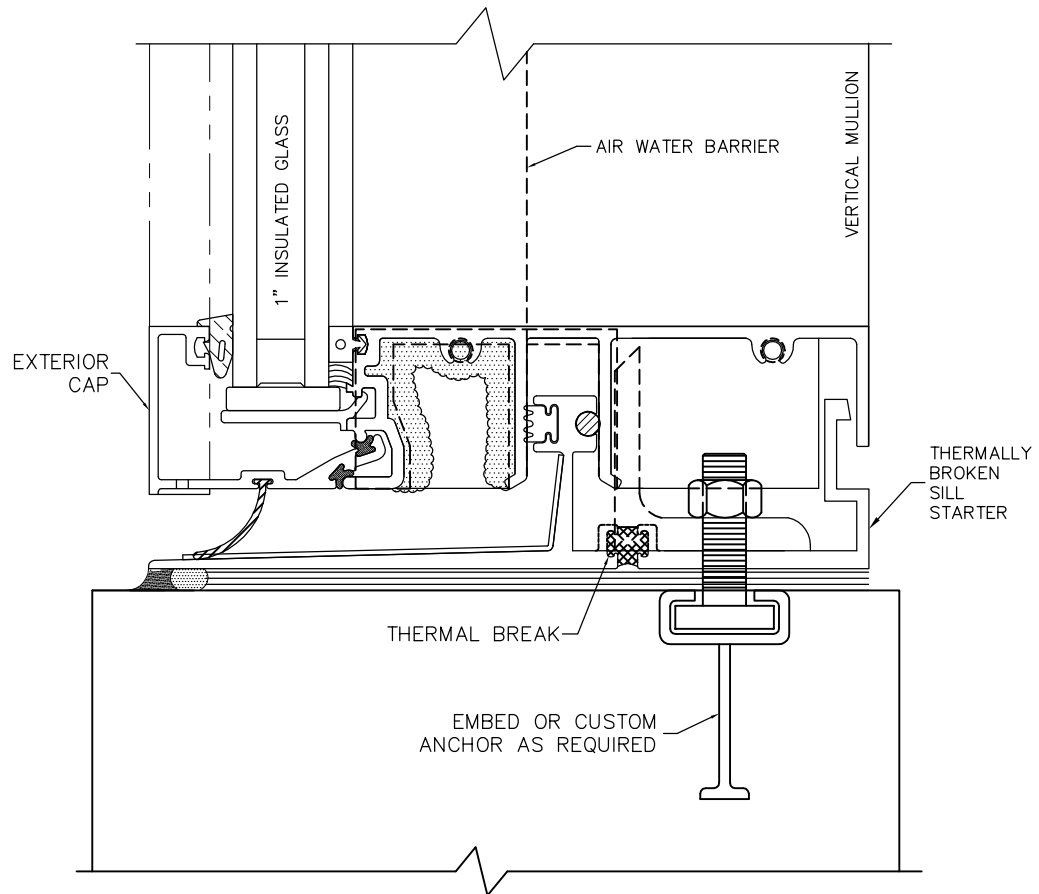
Cherry Hill Glass Co., Inc.

20 Elm St. • Branford, CT 06405
 Tel (203) 483-1717 • Fax (203) 483-9057

**TYPICAL SILL CONDITION
 CAPTURED**

UNI-WALL™

C-D1



SCALE = 1/2"



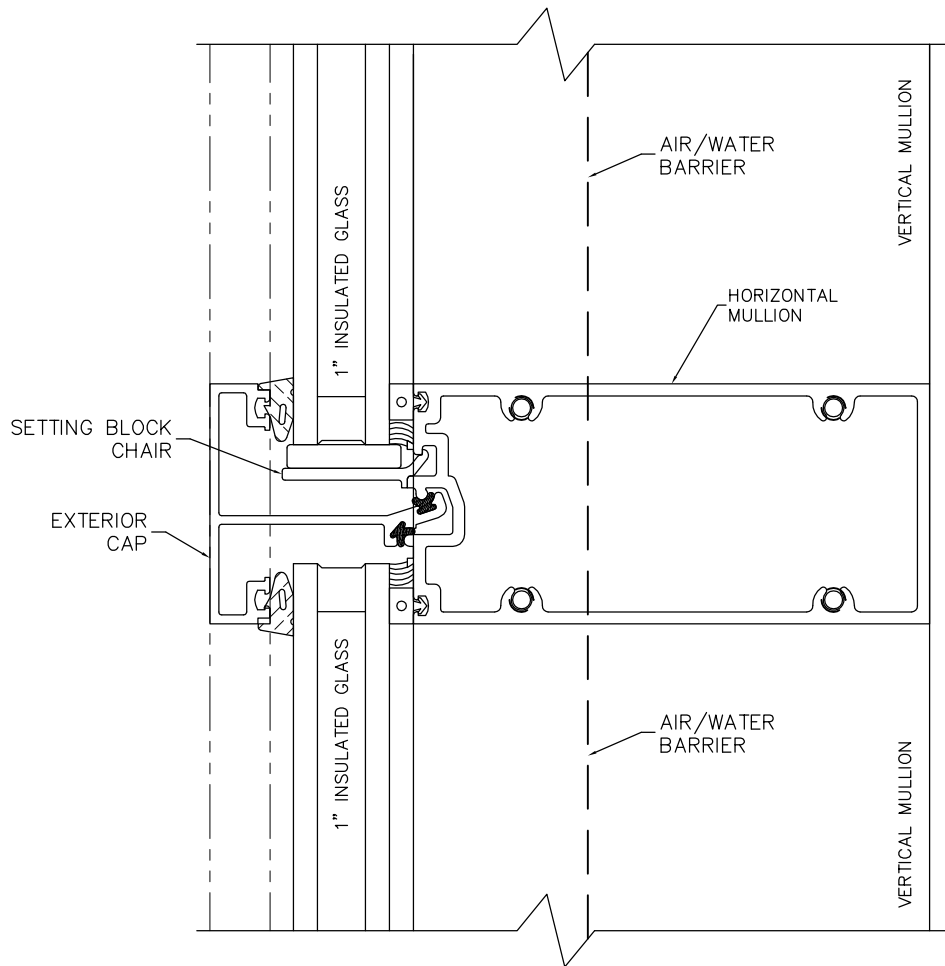
Cherry Hill Glass Co., Inc.

20 Elm St. • Branford, CT 06405
Tel (203) 483-1717 • Fax (203) 483-9057

SILL CONDITION W/ THERMAL BREAK
CAPTURED

UNI-WALL™

C-D1A



SCALE = 1/2"



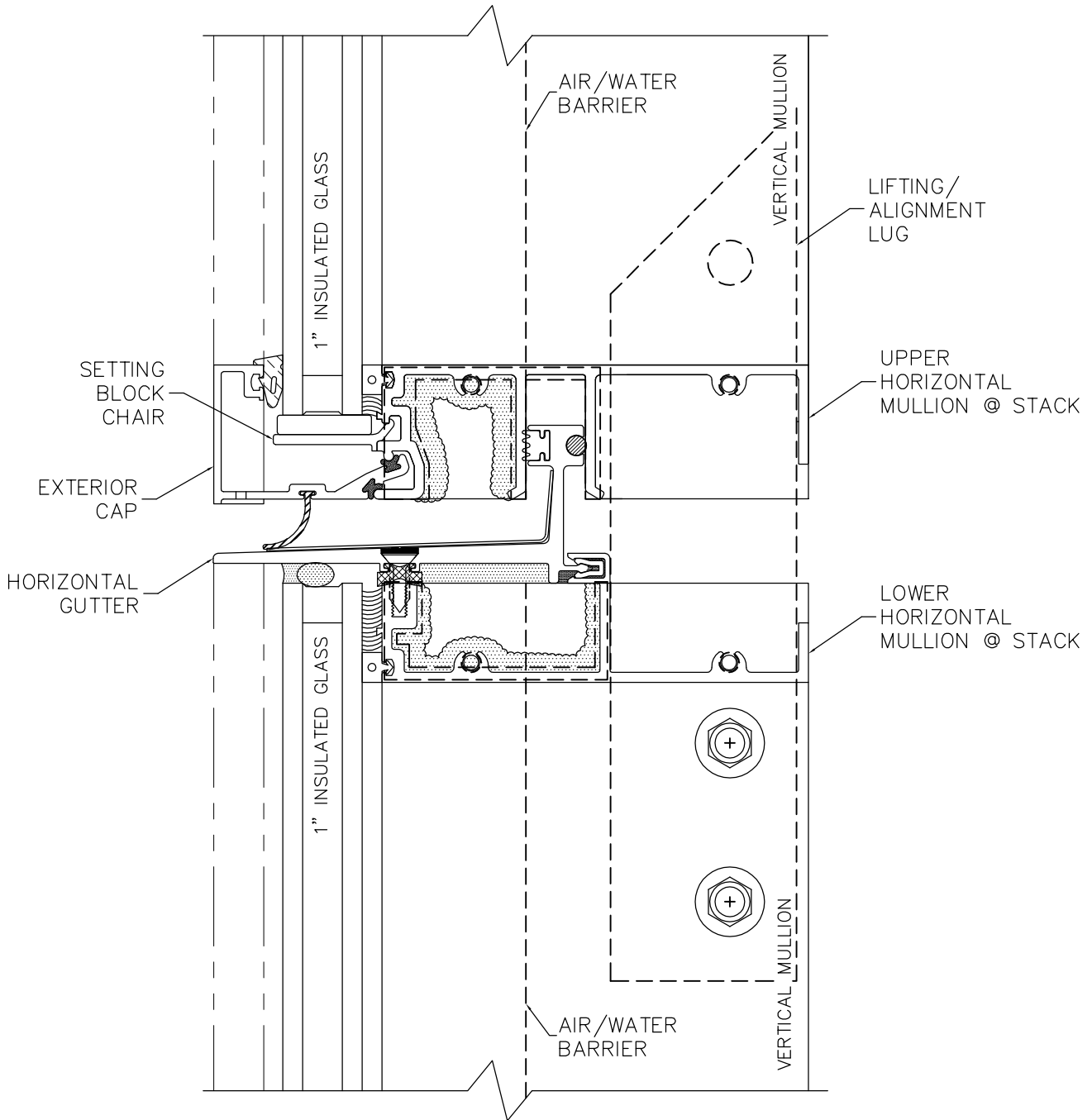
Cherry Hill Glass Co., Inc.

20 Elm St. • Branford, CT 06405
 Tel (203) 483-1717 • Fax (203) 483-9057

TYPICAL INTERMEDIATE HORIZONTAL CAPTURED

UNI-WALL™

C-D2



SCALE = 1/2"



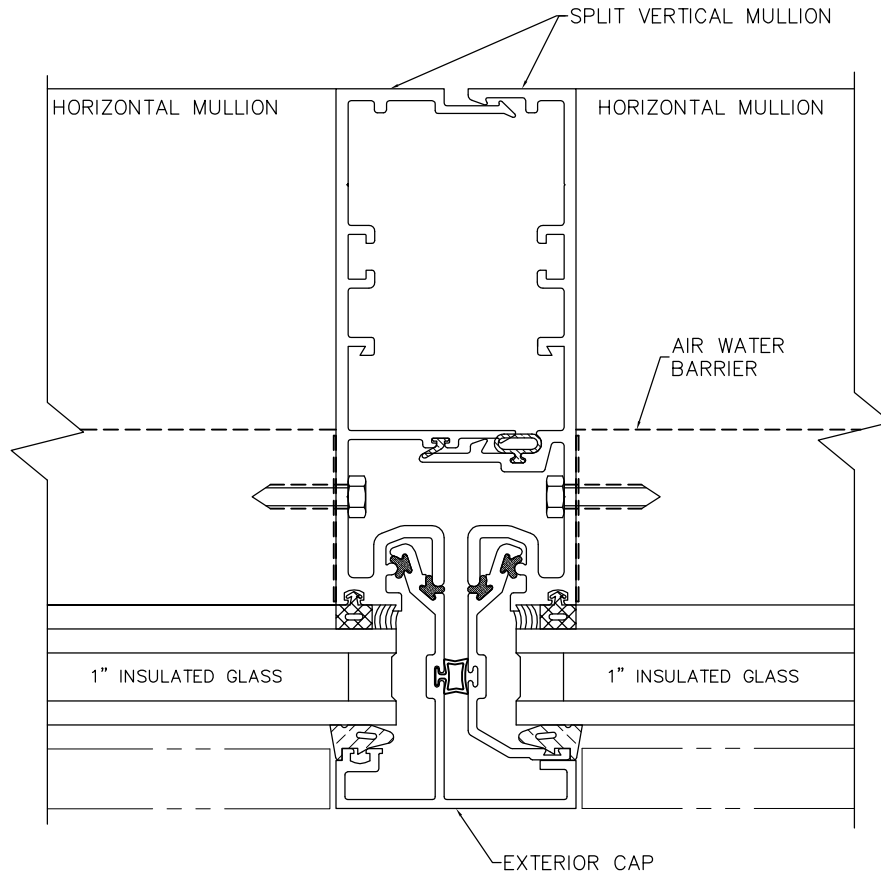
Cherry Hill Glass Co., Inc.

20 Elm St. • Branford, CT 06405
 Tel (203) 483-1717 • Fax (203) 483-9057

**TYPICAL STACK JOINT
 CAPTURED**

UNI-WALL™

C-D3



SCALE = 1/2"



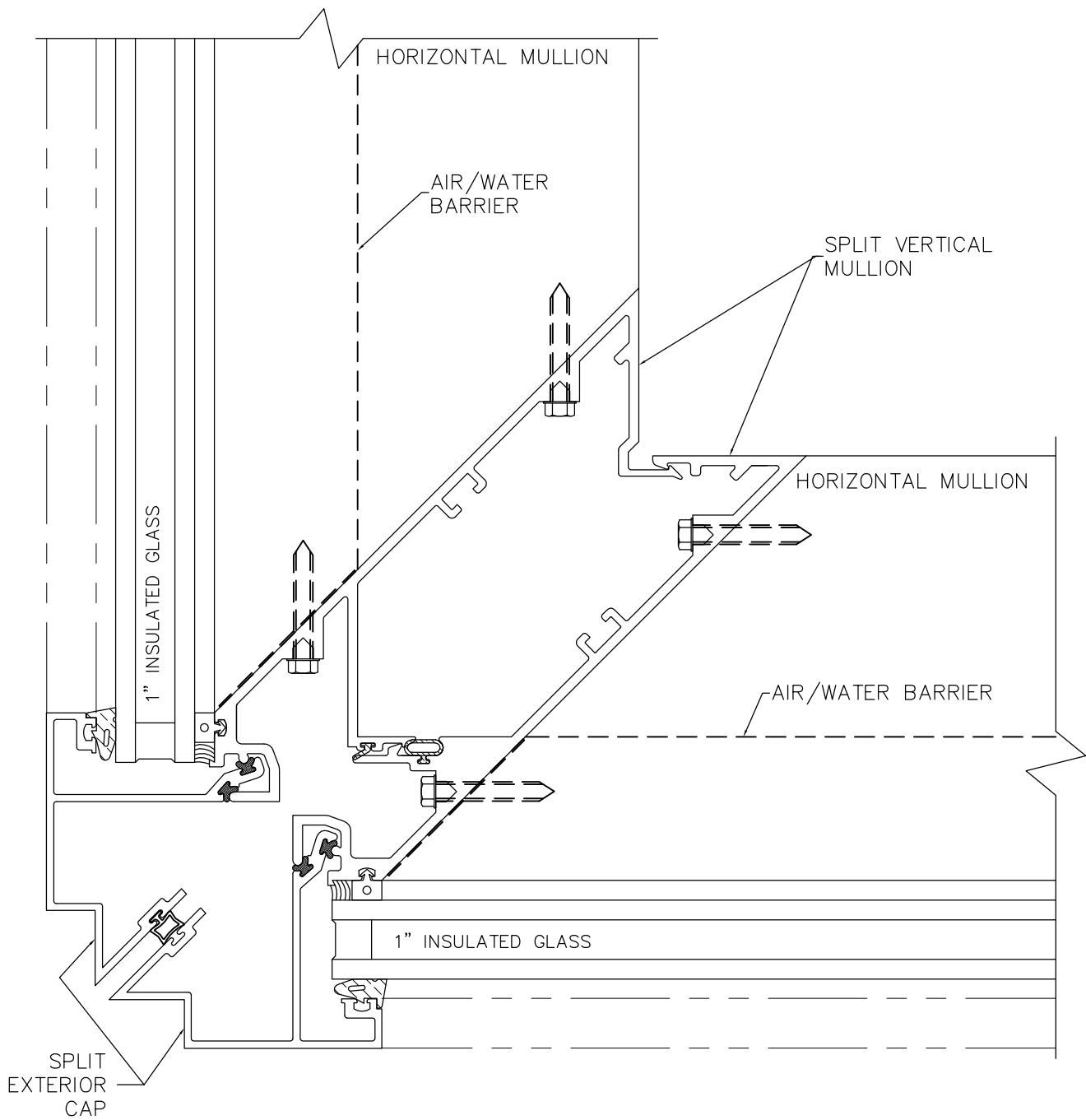
Cherry Hill Glass Co., Inc.

20 Elm St. • Branford, CT 06405
 Tel (203) 483-1717 • Fax (203) 483-9057

**TYPICAL VERTICAL MULLION
 CAPTURED**

UNI-WALL™

C-D4



SCALE = 1/2"



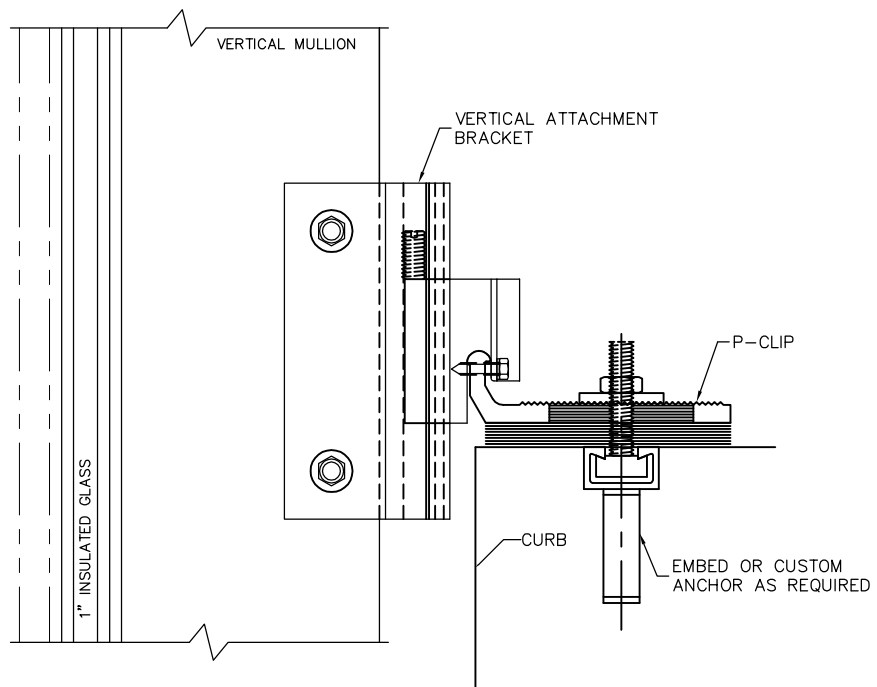
Cherry Hill Glass Co., Inc.

20 Elm St. • Branford, CT 06405
 Tel (203) 483-1717 • Fax (203) 483-9057

**TYPICAL OUTSIDE CORNER MULLION
 CAPTURED**

UNI-WALL™

C-D5



SCALE = 1/4"



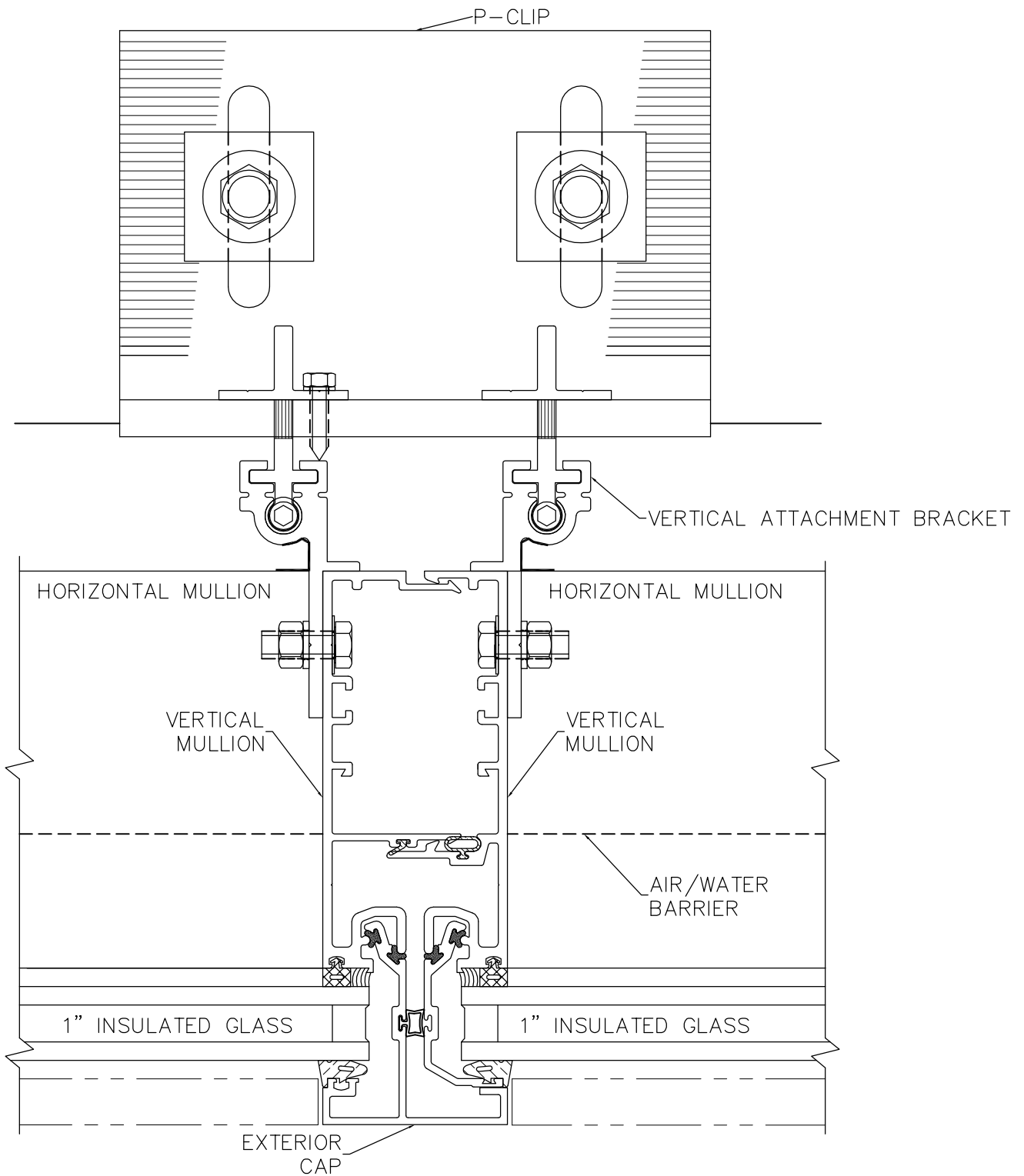
Cherry Hill Glass Co., Inc.

20 Elm St. • Branford, CT 06405
 Tel (203) 483-1717 • Fax (203) 483-9057

**TYPICAL ANCHOR
 CAPTURED**

UNI-WALL™

C-D6



SCALE = 1/2"



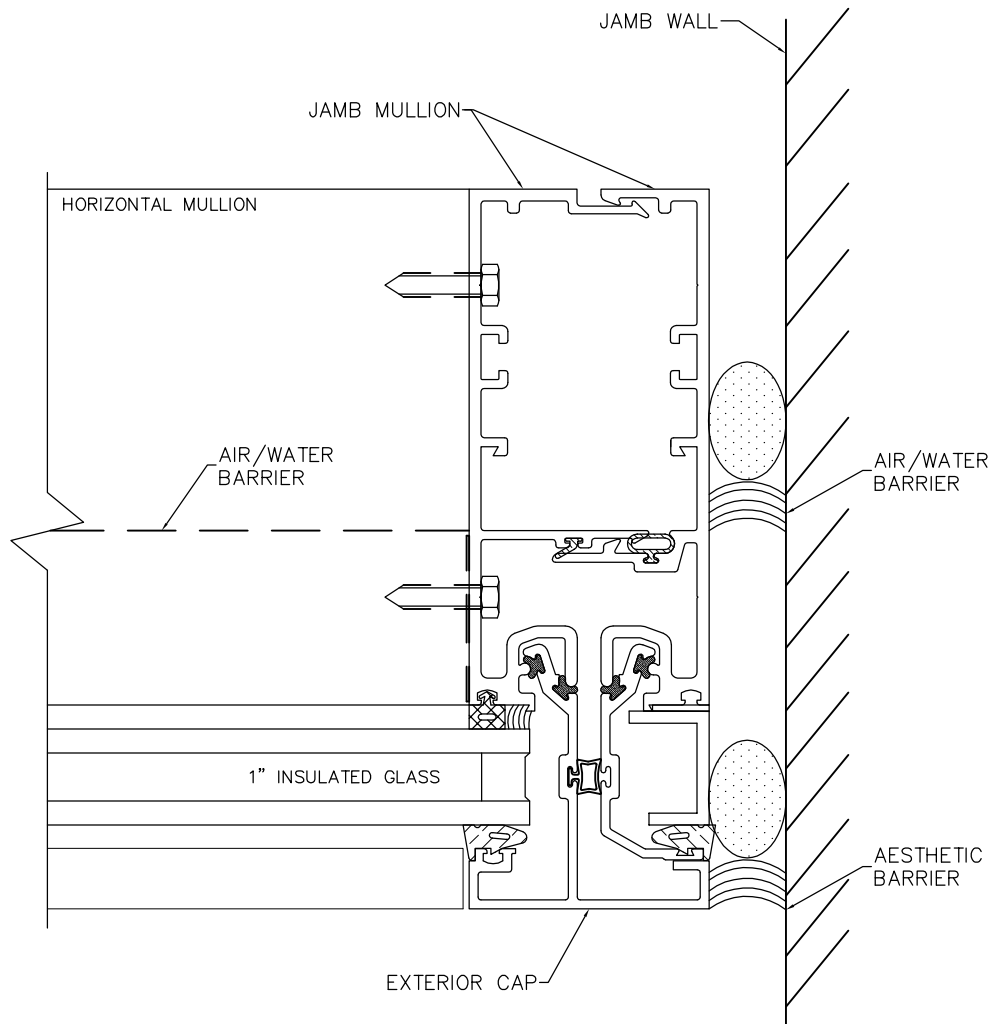
Cherry Hill Glass Co., Inc.

20 Elm St. • Branford, CT 06405
 Tel (203) 483-1717 • Fax (203) 483-9057

**TYPICAL ANCHOR
 CAPTURED**

UNI-WALL™

C-D7



SCALE = 1/2"



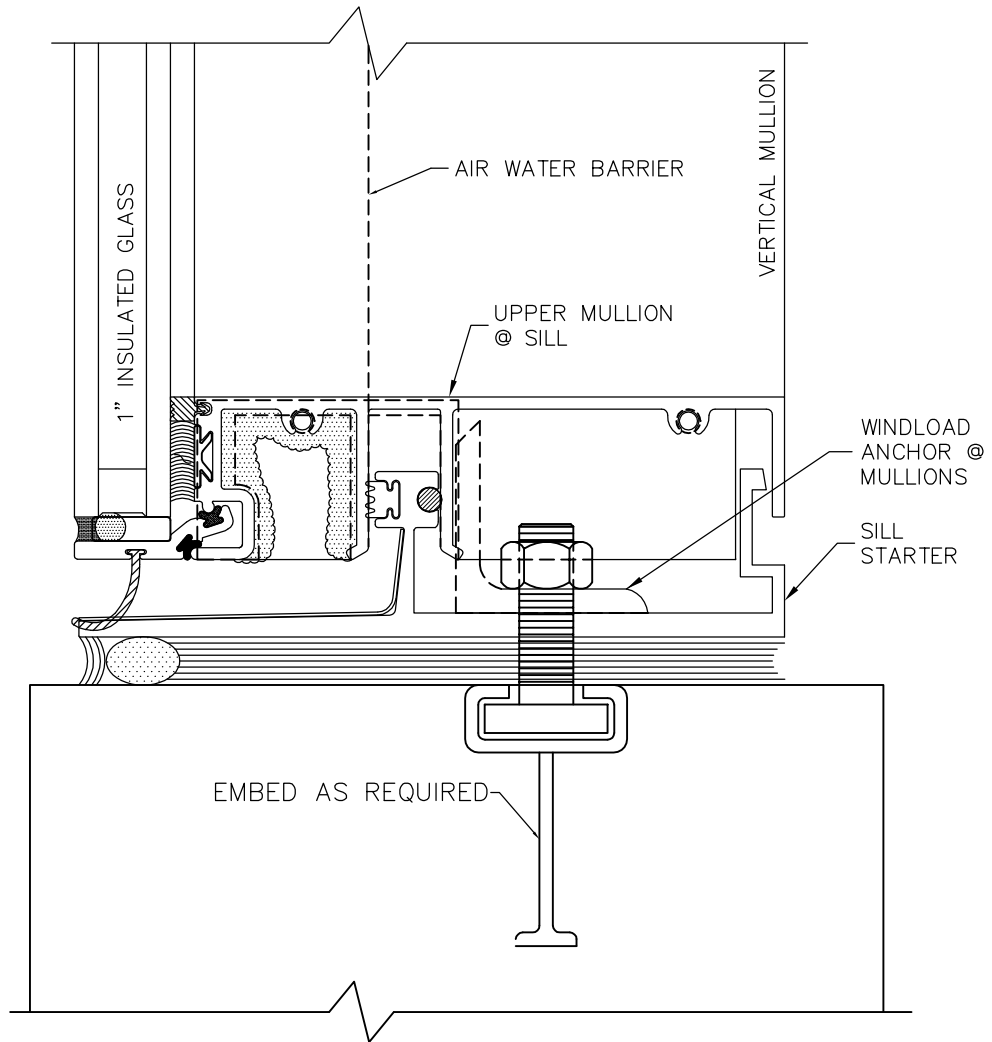
Cherry Hill Glass Co., Inc.

20 Elm St. • Branford, CT 06405
 Tel (203) 483-1717 • Fax (203) 483-9057

**TYPICAL VERTICAL JAMB MULLION
 CAPTURED**

UNI-WALL™

C-D8



SCALE = 1/2"



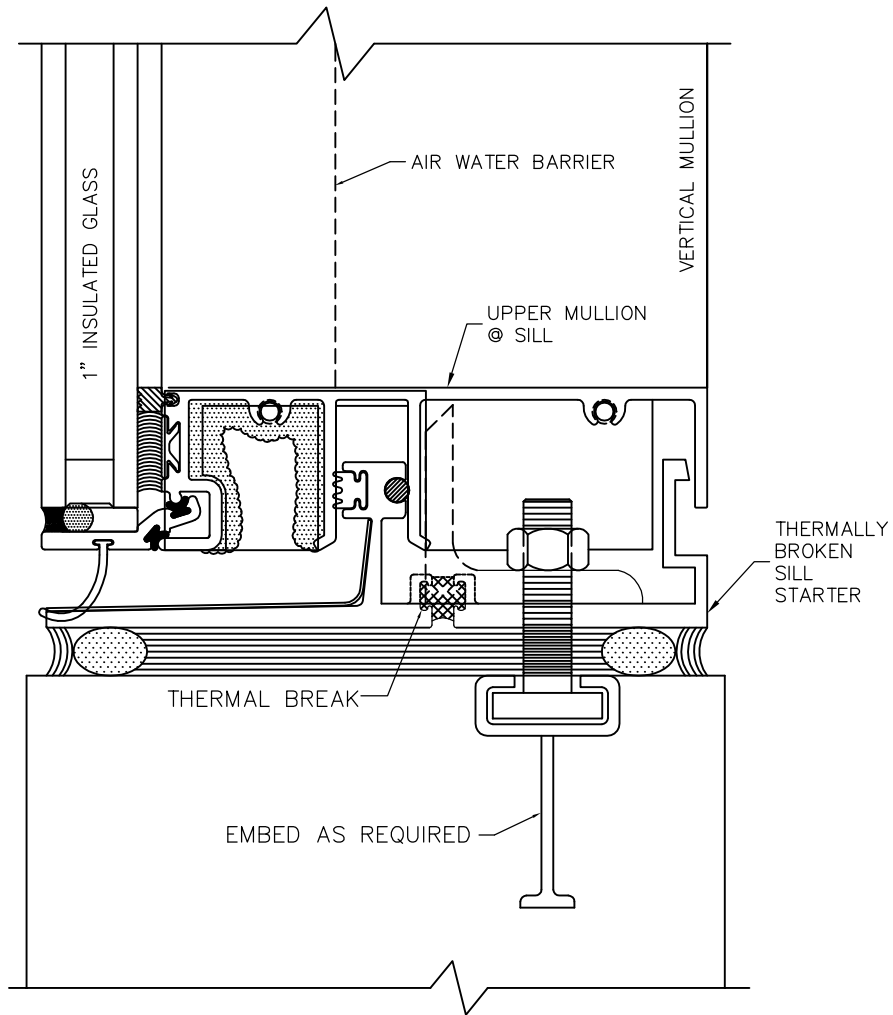
Cherry Hill Glass Co., Inc.

20 Elm St. • Branford, CT 06405
 Tel (203) 483-1717 • Fax (203) 483-9057

**TYPICAL SILL CONDITION
 STRUCTURALLY GLAZED**

UNI-WALL™

SG-D1



SCALE = 1/2"



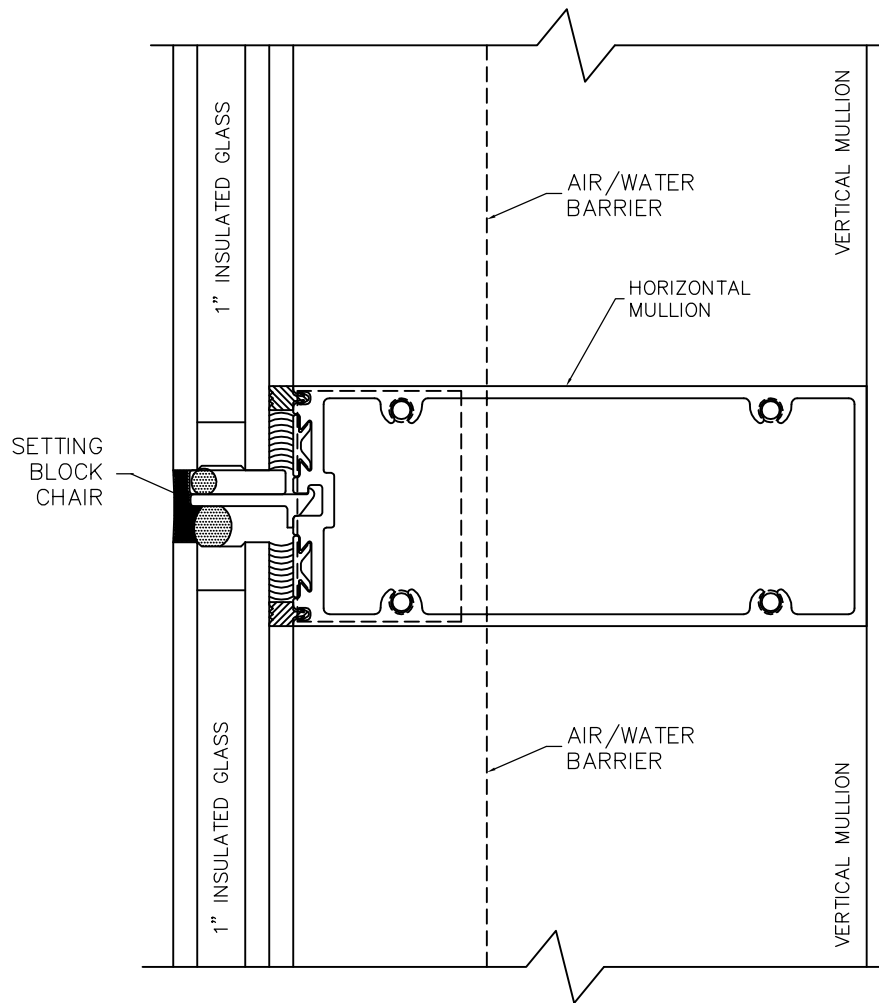
Cherry Hill Glass Co., Inc.

20 Elm St. • Branford, CT 06405
Tel (203) 483-1717 • Fax (203) 483-9057

**SILL W/ THERMAL BREAK
STRUCTURALLY GLAZED**

UNI-WALL™

SG-D1A



SCALE = 1/2"



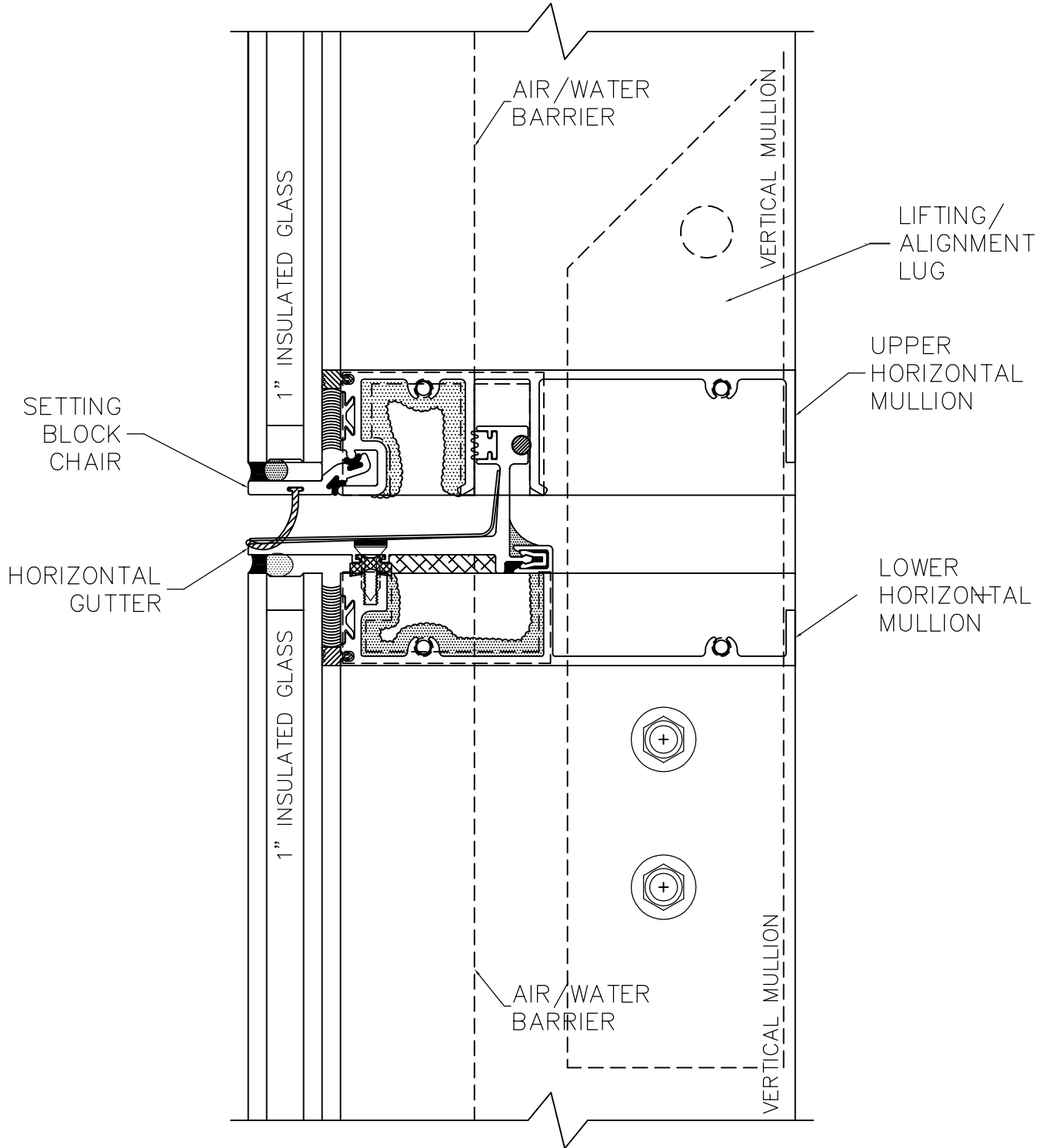
Cherry Hill Glass Co., Inc.

20 Elm St. • Branford, CT 06405
 Tel (203) 483-1717 • Fax (203) 483-9057

**TYPICAL INTERMEDIATE HORIZONTAL
 STRUCTURALLY GLAZED**

UNI-WALL™

SG-D2



SCALE = 1/2"



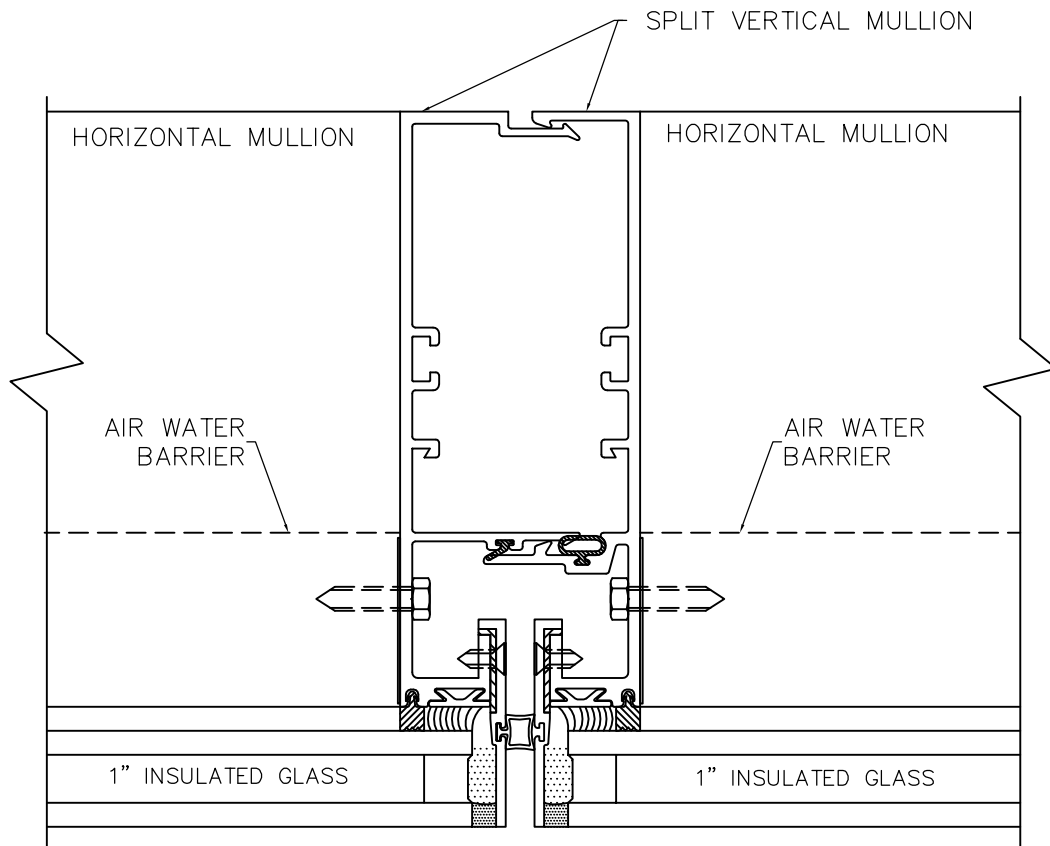
Cherry Hill Glass Co., Inc.

20 Elm St. • Branford, CT 06405
 Tel (203) 483-1717 • Fax (203) 483-9057

**TYPICAL STACK JOINT
 STRUCTURALLY GLAZED**

UNI-WALL™

SG-D3



SCALE = 1/2"



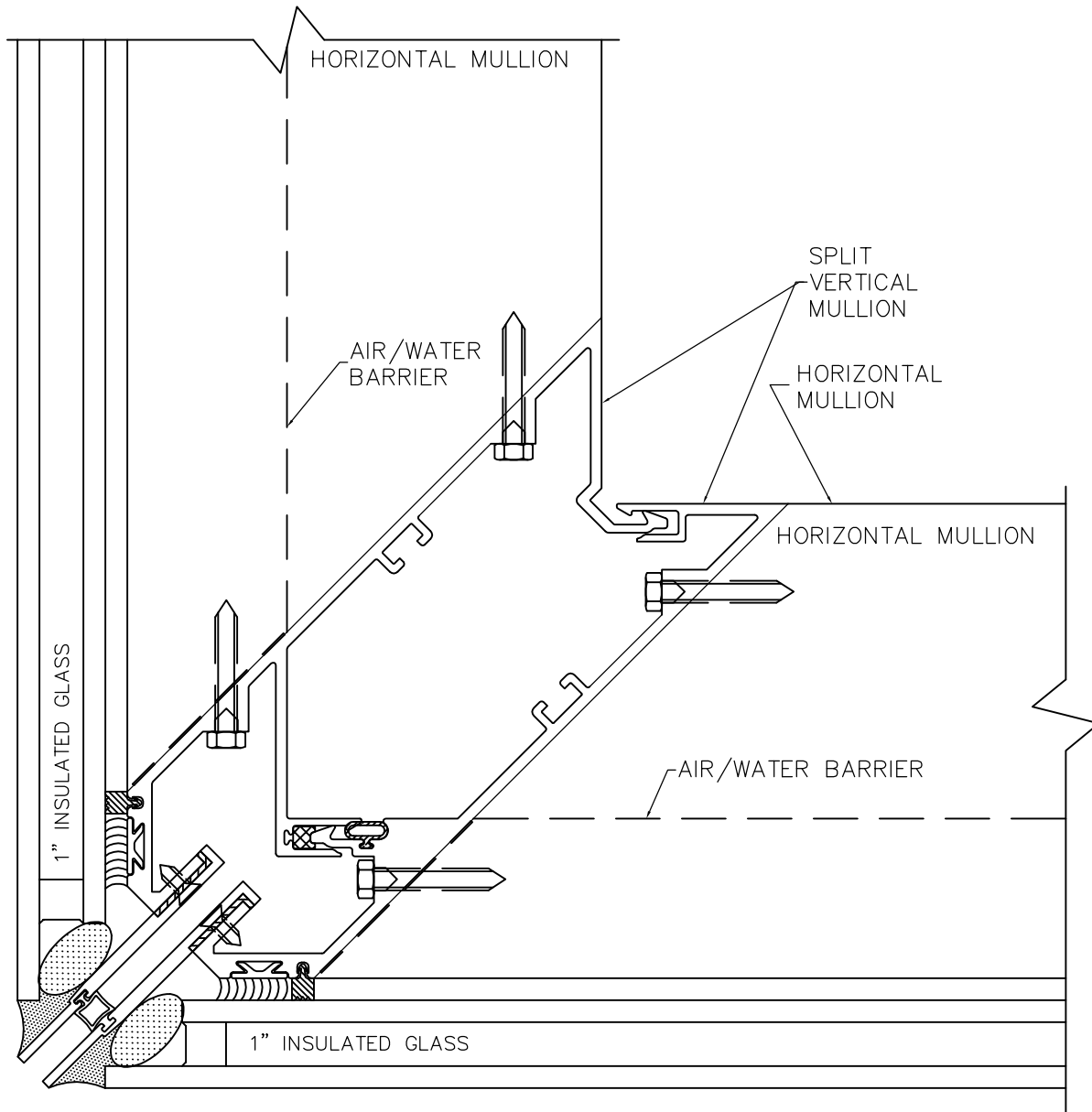
Cherry Hill Glass Co., Inc.

20 Elm St. • Branford, CT 06405
 Tel (203) 483-1717 • Fax (203) 483-9057

**TYPICAL VERTICAL MULLION
 STRUCTURALLY GLAZED**

UNI-WALL™

SG-D4



SCALE = 1/2"



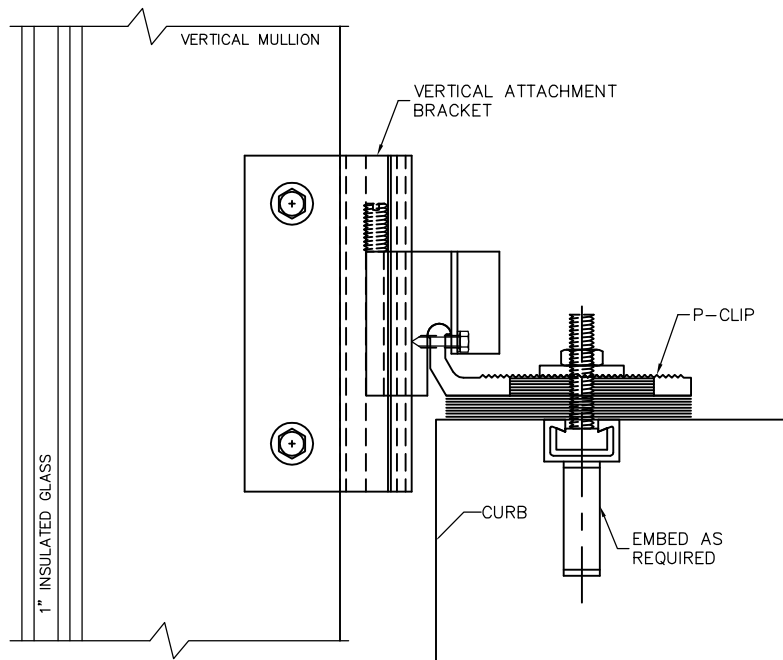
Cherry Hill Glass Co., Inc.

20 Elm St. • Branford, CT 06405
 Tel (203) 483-1717 • Fax (203) 483-9057

**TYPICAL OUTSIDE CORNER MULLION
 STRUCTURALLY GLAZED**

UNI-WALL™

SG-D5



SCALE = 1/4"



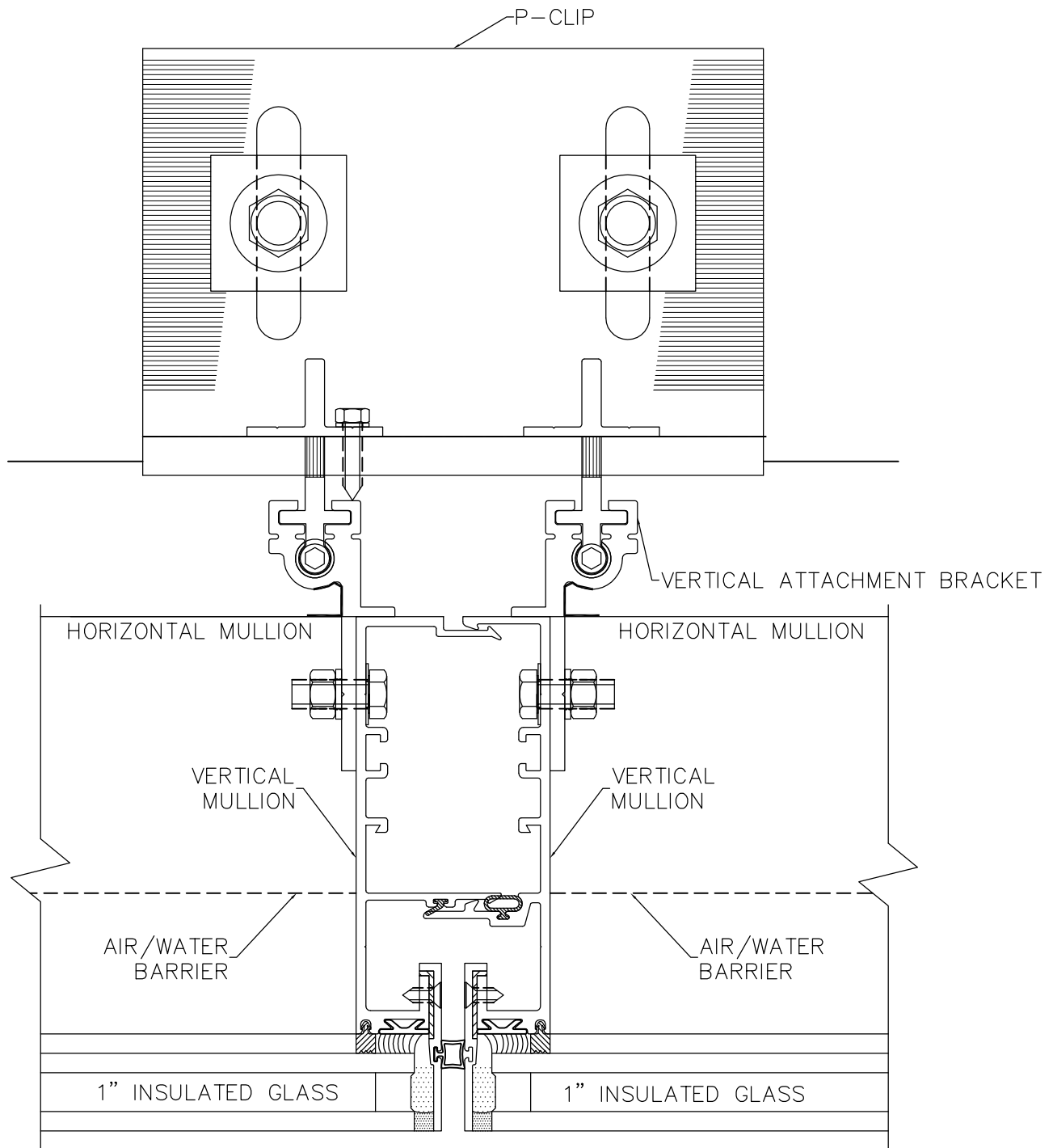
Cherry Hill Glass Co., Inc.

20 Elm St. • Branford, CT 06405
 Tel (203) 483-1717 • Fax (203) 483-9057

**TYPICAL ANCHOR
 STRUCTURALLY GLAZED**

UNI-WALL™

SG-D6



SCALE = 1/2"



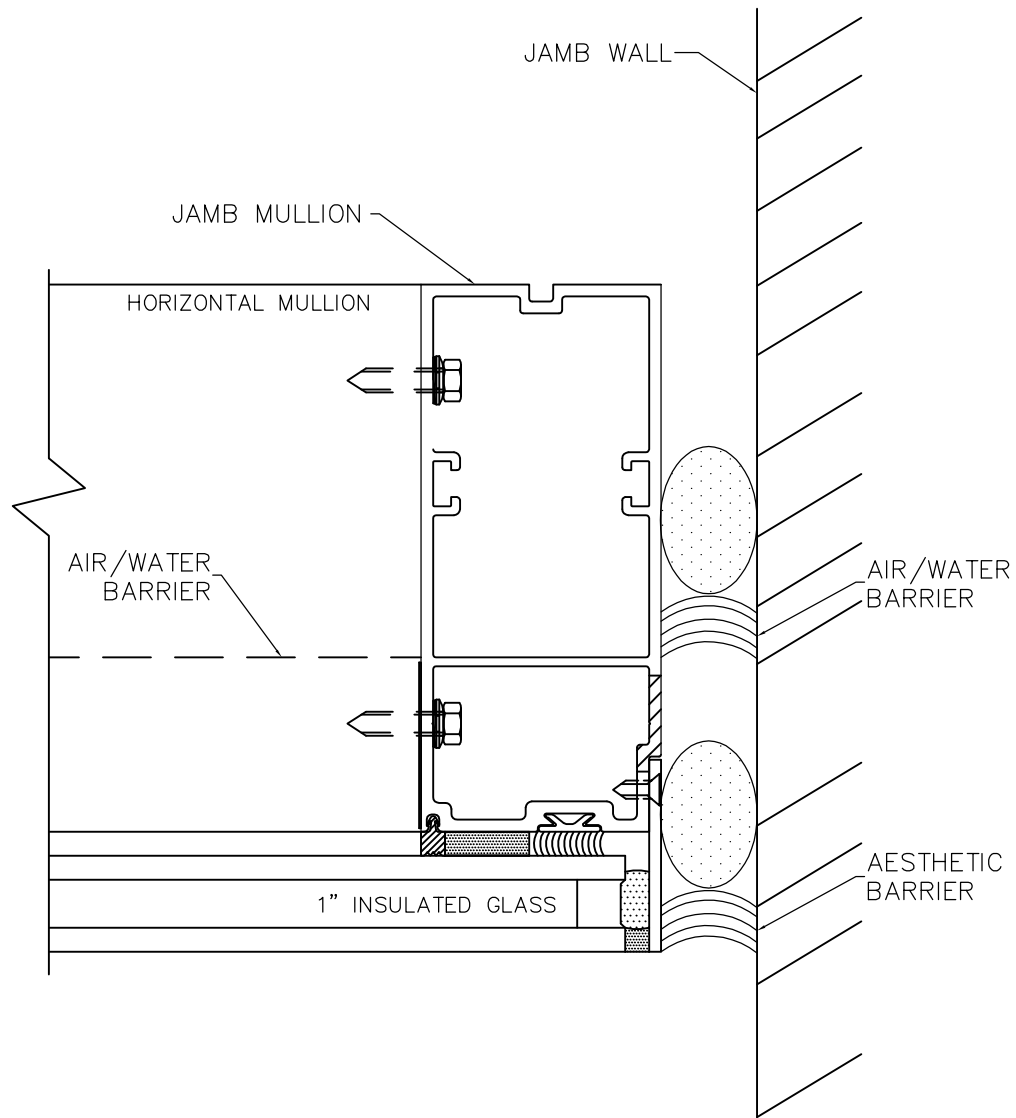
Cherry Hill Glass Co., Inc.

20 Elm St. • Branford, CT 06405
 Tel (203) 483-1717 • Fax (203) 483-9057

**TYPICAL ANCHOR
 STRUCTURALLY GLAZED**

UNI-WALL™

SG-D7



SCALE = 1/2"



Cherry Hill Glass Co., Inc.

20 Elm St. • Branford, CT 06405
 Tel (203) 483-1717 • Fax (203) 483-9057

**TYPICAL VERTICAL JAMB MULLION
 STRUCTURALLY GLAZED**

UNI-WALL™

SG-D8